

Sekisui Industrial Piping Co., Ltd. located in the Chungkang Export Processing Zone of Taichung City in Taiwan. From March of 2006, Sekisui Industrial Piping Co., Ltd. was established as a wholly-owned subsidiary of Sekisui Chemical Co., Ltd. with full technical supports and had a whole new start.

The site area is 44,000m² including the new factory built in 2006. The production facilities include compound mixture and pellet machines, injection machines 35-3200 ton, pipe extrusion machines, fabrication machines, assembling / QC / cleaning room, mold processing machines and testing equipments.

Integrating our production and quality management systems from raw materials to evaluation, we have been certified by ISO 9001 and ISO 14001 standards. Our products are also certified by NSF and CE approvals.

Our company is always standing on the customers' point of view. We will continue improving quality control thoroughly and expand "MEFCO" and "ESLON" brands in global markets.

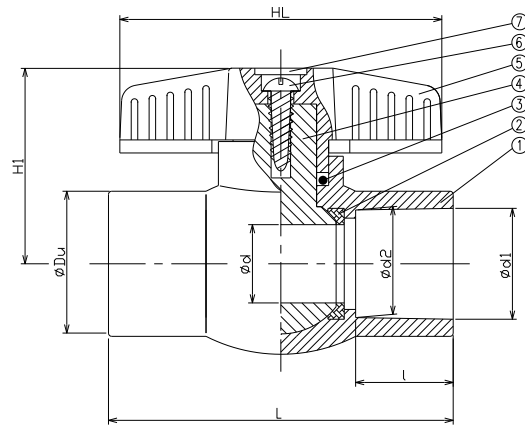


MEFCO 簡單式球閥

Compact Ball Valve (BF)



- Size 1/2" - 2"
- Compact and low cost
- Socket or threaded end
- Color: White / Gray



Working pressure: 150psi@73.4°F(23°C)

NO	PART NAME	Q'ty	MATERIAL
1	BODY	1	PVC
2	SEAT	2	SANTOPRENE®
3	O-RING	1	EPDM
4	BALL	1	PVC
5	HANDLE	1	ABS
6	BOLT	1	S1018
7	HANDLE CAP	1	ABS

Socket Type

Size		L	Ød	ØDu	ASTM		DIN		JIS		l	H1	HL
A	B				Ød1	Ød2	Ød1	Ød2	Ød1	Ød2			
15	1/2	78	15	31	21.54	21.23	20.3	20.1	22.40	21.52	22	47	70
20	3/4	90	20	37	26.87	26.57	25.3	25.1	26.45	25.42	25	52	79
25	1	106	23.8	44	33.67	33.27	32.3	32.1	32.55	31.37	30	65	99
32	1 1/4	121	29.6	53	42.42	42.04	40.3	40.1	38.60	37.31	33	70	112
40	1 1/2	130	33.8	60	48.56	48.11	50.3	50.1	48.70	47.21	35	74	112
50	2	148	44.2	76	60.63	60.17	63.3	63.1	60.80	59.10	38	80	138

Thread Type

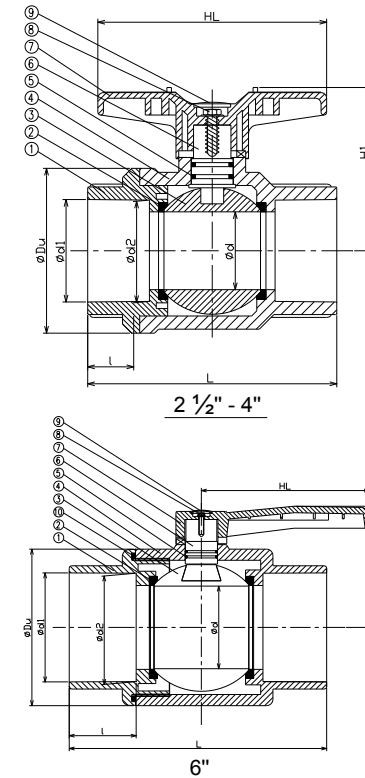
Size		L	Ød	ØDu	NPT		Rp		Rc		H1	HL
A	B				thd./in	l(min)	thd./in	l(min)	thd./in	l(min)		
15	1/2	78	15	31	14	16.5	14	15	14	13	47	70
20	3/4	90	20	37	14	17	14	16.5	14	15	52	79
25	1	106	23.8	44	11.5	21	11	19	11	17	65	99
32	1 1/4	121	29.6	53	11.5	22	11	22	11	19	70	112
40	1 1/2	130	33.8	60	11.5	22	11	22	11	19	74	112
50	2	148	44.2	76	11.5	23	11	26	11	23	80	138

MEFCO 兩片式球閥

2-pieces Compact Ball Valve (BV)



- Size 2 1/2" - 4" & 6"
- Easy to turn handle
- Socket or threaded end
- Color: White / Gray



Working pressure: 150psi@73.4°F(23°C)
※(Only 45psi for size 150A)

NO	PART NAME	Q'ty	MATERIAL
1	BODY CAP	1	PVC
2	SEAT	2	EPDM
3	BALL	1	PP
4	BODY	1	PVC
5	O-RING	2	EPDM
6	STEM	1	PVC
7	HANDLE	1	ABS
8	BOLT	1	SUS302
9	HANDLE CAP	1	ABS
10	O-RING	1	EPDM

Socket Type

Size		L	Ød	ØDu	ASTM		DIN		JIS		l	H1	HL
A	B				Ød1	Ød2	Ød1	Ød2	Ød1	Ød2			
65	2 1/2	195	58	127	73.38	72.85	75.3	75.1	76.60	75.33	49	137	204
80	3	220	68	144	89.31	88.70	90.3	90.1	89.60	88.29	54	145	204
100	4	272	89	182	114.76	114.07	110.4	110.1	114.70	113.20	64	176	249
150	6	400	128	242.5	168.83	168.00	160.5	160.2	166.00	163.90	99	188	261

Thread Type

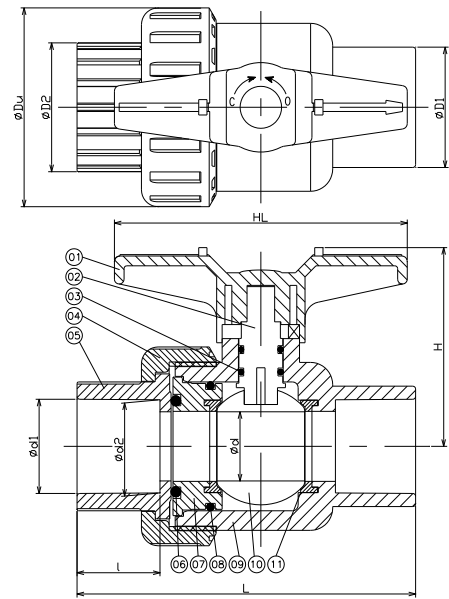
Size		L	Ød	ØDu	NPT		Rp		Rc		H1	HL
A	B				thd./in	l(min)	thd./in	l(min)	thd./in	l(min)		
65	2 1/2	195	58	127	8	31	11	31	11	27	137	204
80	3	220	68	144	8	33	11	34	11	30	145	204
100	4	272	89	182	8	35	11	40	11	36	176	249
150	6	400	128	242.5	8	38	11	44	11	40	188	261

MEFCO 單由令球閥

Single Union Ball Valve (BS)



- Size 1/2" - 2"
- Easy repair and maintenance
- Socket or threaded end
- Color: White / Gray



Working pressure: 150psi@73.4°F(23°C)

NO	PART NAME	Q'ty	MATERIAL
1	HANDLE	1	ABS
2	STEM	1	PVC
3	STEM O-RING	2	EPDM
4	UNION NUT	1	PVC
5	UNION END	1	PVC
6	END SEAL	1	EPDM
7	SPACER	1	PVC
8	SPACER SEAL	1	EPDM
9	BODY	1	PVC
10	BALL	1	PVC
11	SEAT	2	SANTOPRENE®

Socket Type

Size		L	Ød	ØDu	ASTM		DIN		JIS		l	HL	H	ØD1	ØD2
A	B				Ød1	Ød2	Ød1	Ød2	Ød1	Ød2					
15	1/2	98	15	53	21.54	21.23	20.3	20.1	22.40	21.52	22.5	84	55	29	32
20	3/4	109	20	61	26.87	26.57	25.3	25.1	26.45	25.42	26	90	62	35	37
25	1	123	25	71	33.67	33.27	32.3	32.1	32.55	31.37	30	106	71	43	46
32	1 1/4	134	32	83	42.42	42.04	40.3	40.1	38.60	37.31	32	116	82.5	53	56
40	1 1/2	152	40	96	48.56	48.11	50.3	50.1	48.70	47.21	36	128	91	61	62
50	2	169	50	116	60.63	60.17	63.3	63.1	60.80	59.10	40	140	110	74	75

Thread Type

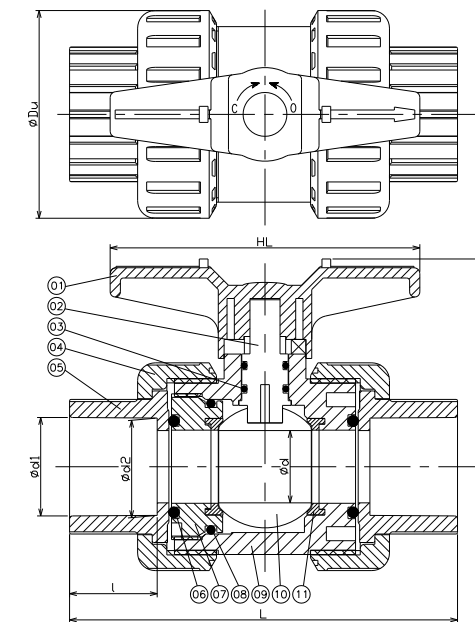
Size		L	Ød	ØDu	NPT		Rp		Rc		HL	H	ØD1	ØD2
A	B				thd./in	l(min)	thd./in	l(min)	thd./in	l(min)				
15	1/2	98	15	53	14	16.5	14	15	14	13	84	55	29	32
20	3/4	109	20	61	14	17	14	16.5	14	15	90	62	35	37
25	1	123	25	71	11.5	21	11	19	11	17	106	71	43	46
32	1 1/4	134	32	83	11.5	22	11	22	11	19	116	82.5	53	56
40	1 1/2	152	40	96	11.5	22	11	22	11	19	128	91	61	62
50	2	169	50	116	11.5	23	11	26	11	23	140	110	74	75

MEFCO 雙由令球閥

True Union Ball Valve (BN)



- Size 1/2" - 2"
- Full port design
- Easy maintenance
- Socket or threaded end



Working pressure: 150psi@73.4°F(23°C)

NO	PART NAME	Q'ty	MATERIAL
1	HANDLE	1	ABS
2	STEM	1	PVC
3	STEM O-RING	2	EPDM
4	UNION NUT	2	PVC
5	UNION END	2	PVC
6	END SEAL	2	EPDM
7	SPACER	1	PVC
8	SPACER SEAL	1	EPDM
9	BODY	1	PVC
10	BALL	1	PVC
11	SEAT	2	SANTOPRENE® OR PTFE

Socket Type

Size		L	Ød	ØDu	ASTM		DIN		JIS		l	H1	HL
A	B				Ød1	Ød2	Ød1	Ød2	Ød1	Ød2			
15	1/2	105	15	53	21.54	21.23	20.3	20.1	22.40	21.52	22.5	53	84
20	3/4	117	20	61	26.87	26.57	25.3	25.1	26.45	25.42	26	61	90
25	1	133	25	71	33.67	33.27	32.3	32.1	32.55	31.37	30	71	106
32	1 1/4	147	32	83	42.42	42.04	40.3	40.1	38.60	37.31	32	82.5	116
40	1 1/2	167	40	96	48.56	48.11	50.3	50.1	48.70	47.21	36	91	128
50	2	180	50	116	60.63	60.17	63.3	63.1	60.80	59.10	40	110	140

Thread Type

Size		L	Ød	ØDu	NPT		Rp		Rc		H1	HL
A	B				thd./in	l(min)	thd./in	l(min)	thd./in	l(min)		
15	1/2	105	15	53	14	16.5	14	15	14	13	53	84
20	3/4	117	20	61	14	17	14	16.5	14	15	61	90
25	1	133	25	71	11.5	21	11	19	11	17	71	106
32	1 1/4	147	32	83	11.5	22	11	22	11	19	82.5	116
40	1 1/2	167	40	96	11.5	22	11	22	11	19	91	128
50	2	180	50	116	11.5	23	11	26	11	23	110	140

MEFCO 雙由令球閥

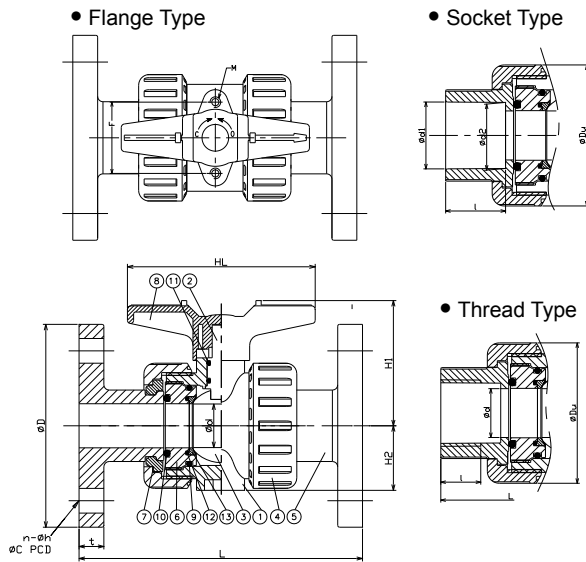
True Union Ball Valve (BD)



- Size 1/2" - 4"
- Full port design
- Actuator could be installed with inserted nut type. The standard product is without inserted nut.
- Flange, socket or threaded end

Working pressure: 150psi@73.4°F(23°C)

NO	PART NAME	Q'ty	MATERIAL
1	BODY	1	PVC
2	STEM	1	PVC
3	BALL	1	PVC
4	UNION NUT	2	PVC
5	UNION END	2	PVC
6	SPACER	1	PVC
7	SET RING	2	PVC
8	HANDLE	1	ABS
9	SPACER SEAL	1	EPDM
10	END SEAL	2	EPDM
11	STEM O-RING	1	EPDM
12	SEAT SEAL	2	EPDM
13	SEAT	2	PTFE



Socket Type

Size		L	Ød	ØDu	ASTM		DIN		JIS		l	H1	H2	HL	F	M
A	B				Ød1	Ød2	Ød1	Ød2	Ød1	Ød2						
15	1/2	104	15	53	21.54	21.23	20.3	20.1	22.40	21.52	22.5	53	25	84	31	M6
20	3/4	117	20	61	26.87	26.57	25.3	25.1	26.45	25.42	26	61	29	90	33	M6
25	1	132	25	71	33.67	33.27	32.3	32.1	32.55	31.37	30	71	36.5	106	40	M6
32	1 1/4	147	32	83	42.42	42.04	40.3	40.1	38.60	37.31	32	82.5	41	116	52	M8
40	1 1/2	167	40	96	48.56	48.11	50.3	50.1	48.70	47.21	36	91	48	128	52	M8
50	2	179	50	116	60.63	60.17	63.3	63.1	60.80	59.10	40	110	54.5	140	70	M8

Thread Type

Size		L	Ød	ØDu	NPT		Rp		Rc		H1	H2	HL	F	M
A	B				thd./in	l(min)	thd./in	l(min)	thd./in	l(min)					
15	1/2	104	15	53	14	16.5	14	15	14	13	53	25	84	31	M6
20	3/4	117	20	61	14	17	14	16.5	14	15	61	29	90	33	M6
25	1	132	25	71	11.5	21	11	19	11	17	71	36.5	106	40	M6
32	1 1/4	147	32	83	11.5	22	11	22	11	19	82.5	41	116	52	M8
40	1 1/2	167	40	96	11.5	22	11	22	11	19	91	48	128	52	M8
50	2	179	50	116	11.5	23	11	26	11	23	110	54.5	140	70	M8

Flange Type

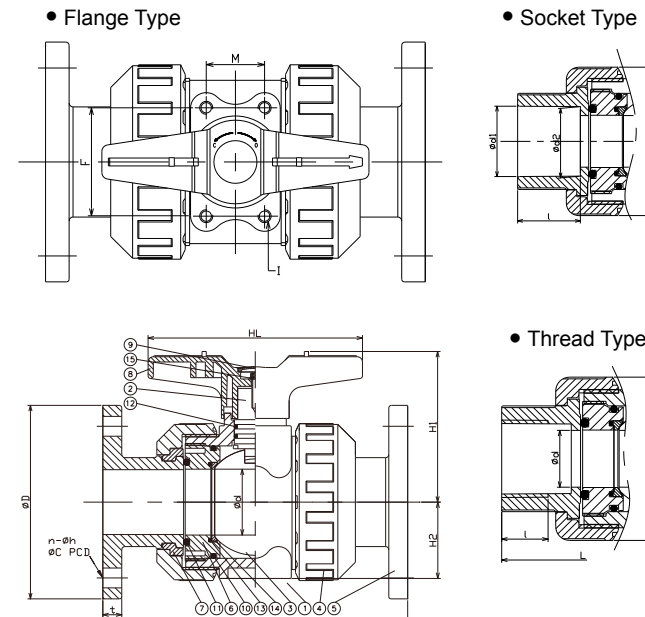
Size		Ød	ANSI 150 PSI					DIN PN 10					H1	HL	F	M
A	B		L	ØD	ØC	n-Øh	t	L	ØD	ØC	n-Øh	t				
15	1/2	15	143	90	60.3	4-16	11.5	130	95	65	4-14	11	53	84	31	M6
20	3/4	20	172	100	69.9	4-16	13.0	150	105	75	4-14	12	61	90	33	M6
25	1	25	187	110	79.4	4-16	14.5	160	115	85	4-14	14	71	106	40	M6
32	1 1/4	32	190	115	88.9	4-16	16.0	180	140	100	4-18	15	82.5	116	52	M8
40	1 1/2	40	211	125	98.4	4-16	17.5	200	150	110	4-18	16	91	128	52	M8
50	2	50	234	150	120.7	4-19	19.5	230	165	125	4-18	18	110	140	70	M8

MEFCO 雙由令球閥

True Union Ball Valve (BD)



Working pressure: 150psi@73.4°F(23°C)



NO	PART NAME	Q'ty	MATERIAL
1	BODY	1	PVC
2	STEM	1	PVC
3	BALL	1	PVC
4	UNION NUT	2	PVC
5	UNION END	2	PVC
6	SPACER	1	PVC
7	SET RING	2	PVC
8	HANDLE	1	ABS
9	HANDLE CAP	1	ABS
10	SPACER SEAL	1	EPDM
11	END SEAL	2	EPDM
12	STEM O-RING	2	EPDM
13	SEAT SEAL	2	EPDM
14	SEAT	2	PTFE
15	BOLT	1	SUS304

Socket Type

Size		L	Ød	ØDu	ASTM		DIN		JIS		l	H1	H2	HL	F	M	I
A	B				Ød1	Ød2	Ød1	Ød2	Ød1	Ød2							
65	2 1/2	241	63	150	73.38	72.85	75.3	75.1	76.60	75.33	45	144	73	204	83.6	44.6	M10
80	3	271	75	166	89.31	88.70	90.3	90.1	89.60	88.29	48	151	84.5	204	83.6	44.6	M10
100	4	323	97	210	114.76	114.07	110.4	110.1	114.70	113.20	58	180	104	249	121	49	M12

Thread Type

Size		L	Ød	ØDu	NPT		Rp		Rc		H1	H2	HL	F	M	I
A	B				thd./in	l(min)	thd./in	l(min)	thd./in	l(min)						
65	2 1/2	241	63	150	8	31	11	31	11	27	144	73	204	83.6	44.6	M10
80	3	271	75	166	8	33	11	34	11	30	151	84.5	204	83.6	44.6	M10
100	4	323	97	210	8	35	11	40	11	36	180	104	249	121	49	M12

Flange Type

Size		Ød	ANSI 150 PSI					DIN PN 10					H1	HL	F	M	I
A	B		L	ØD	ØC	n-Øh	t	L	ØD	ØC	n-Øh	t					
65	2 1/2	63	290	180	139.7	4-19	22.5	290	185	145	4-18	18	144	204	83.6	44.6	M10
80	3	75	306	190	152.4	4-19	24	310	200	160	8-18	20	151	204	83.6	44.6	M10
100	4	97	372	230	190.5	8-19	24	350	220	180	8-18	20	180	249	121	49	M12

MEFCO 電動式球閥

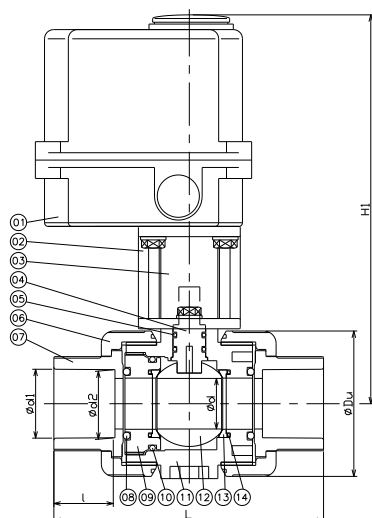
Electric Actuator Ball Valve (BE)



- Size 1/2" - 4"
- Easy to assemble limit switch and other accessories

Working pressure: 150psi@73.4°F(23°C)

NO	PART NAME	Q'ty	MATERIAL
1	ELECTRIC ACTUATOR	1	NYLON
2	SUPPORT	1	SUS304
3	COUPLING	1	SUS304
4	STEM	1	PVC
5	STEN O-RING	2	EPDM
6	UNION NUT	2	PVC
7	UNION END	2	PVC
8	END SEAL	2	EPDM
9	SPACER	1	PVC
10	SPACER SEAL	1	EPDM
11	BODY	1	PVC
12	BALL	1	PVC
13	SEAT	2	PTFE
14	SEAT SEAL	2	EPDM



Size	Electric Actuator	Power	Single-Phase		Output Torque (kgf-cm)
			AC110V	AC220V	
1/2" - 1 1/2"	UM-1	10W	0.4A	0.25A	350
2"	R-5	10W	0.4A	0.25A	500
2 1/2" - 3"	UM-3	25W	0.76A	0.42A	1500
4"	UM-4	25W	0.76A	0.42A	3200

Size		L	Ød	ØDu	ASTM		DIN		JIS		l	H1
A	B				Ød1	Ød2	Ød1	Ød2	Ød1	Ød2		
15	1/2	104	15	53	21.54	21.23	20.3	20.1	22.40	21.52	22.5	197
20	3/4	117	20	61	26.87	26.57	25.3	25.1	26.45	25.42	26	202
25	1	132	25	71	33.67	33.27	32.3	32.1	32.55	31.37	30	231
32	1 1/4	147	32	83	42.42	42.04	40.3	40.1	38.60	37.31	32	235
40	1 1/2	167	40	96	48.56	48.11	50.3	50.1	48.70	47.21	36	242
50	2	179	50	116	60.63	60.17	63.3	63.1	60.80	59.10	40	290
65	2 1/2	241	63	150	73.38	72.85	75.3	75.1	76.60	75.33	45	308
80	3	271	75	166	89.31	88.70	90.3	90.1	89.60	88.29	48	317
100	4	323	97	210	114.76	114.07	110.4	110.1	114.70	113.20	58	412

MEFCO 氣動式球閥

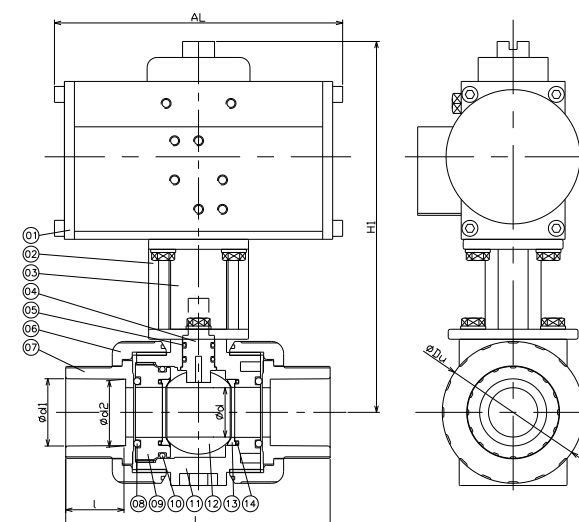
Pneumatic Actuator Ball Valve (BA)



- Size 1/2" - 4"
- Easy to assemble limit switch and other accessories

Working pressure: 150psi@73.4°F(23°C)

NO	PART NAME	Q'ty	MATERIAL
1	PNEUMATIC ACTUATOR	1	ALLOY
2	SUPPORT	1	SUS304
3	COUPLING	1	SUS304
4	STEM	1	PVC
5	STEN O-RING	2	EPDM
6	UNION NUT	2	PVC
7	UNION END	2	PVC
8	END SEAL	2	EPDM
9	SPACER	1	PVC
10	SPACER SEAL	1	EPDM
11	BODY	1	PVC
12	BALL	1	PVC
13	SEAT	2	PTFE
14	SEAT SEAL	2	EPDM



Size		L	Ød	ØDu	ASTM		DIN		JIS		l	Double Action		Spring Return	
A	B				Ød1	Ød2	Ød1	Ød2	Ød1	Ød2		H1	AL	H1	AL
15	1/2	104	15	53	21.54	21.23	20.3	20.1	22.40	21.52	22.5	137	120	152	195
20	3/4	117	20	61	26.87	26.57	25.3	25.1	26.45	25.42	26	142	120	157	195
25	1	132	25	71	33.67	33.27	32.3	32.1	32.55	31.37	30	186	145	186	195
32	1 1/4	147	32	83	42.42	42.04	40.3	40.1	38.60	37.31	32	190	145	209	206
40	1 1/2	167	40	96	48.56	48.11	50.3	50.1	48.70	47.21	36	197	145	216	206
50	2	179	50	116	60.63	60.17	63.3	63.1	60.80	59.10	40	204	145	223	206
65	2 1/2	241	63	150	73.38	72.85	75.3	75.1	76.60	75.33	45	284	183	284	250
80	3	271	75	166	89.31	88.70	90.3	90.1	89.60	88.29	48	293	183	293	250
100	4	323	97	210	114.76	114.07	110.4	110.1	114.70	113.20	58	333	260	333	350

MEFCO 把手式蝶閥

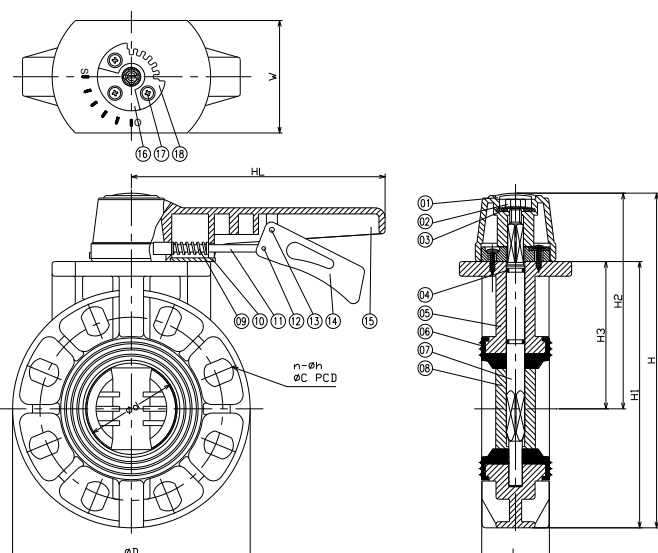
Butterfly Valve (Lever Handle Type)(EN)



- Size 2"- 8"
- Ideally suited in the limited piping space
- PVC or GF-PP body for choice
- Indicate of disk position
- CE approved

Working pressure:150psi@73.4°F(23°C)

NO	PART NAME	Q'ty	MATERIAL
1	HANDLE CAP	1	ABS
2	NUT	1	SUS27
3	WASHER	1	SUS27
4	O-RING	2	EPDM
5	BODY	1	PVC OR GF-PP
6	SEAT	1	EPDM
7	STEM	1	SUS410
8	DISC	1	PP
9	SPRING	1	SUS316
10	SPRING LOCK	1	ABS
11	HANDLE LEVER	1	SUS304
12	PIN	1	SUS27
13	PIN	1	SUS27
14	SMALL HANDLE	1	ABS
15	HANDLE	1	ABS
16	GEAR SEAT	1	ABS
17	BOLT	3	SUS27
18	LOCK PLATE	1	SUS304



Size		L	Ød	ØD	ANSI 150PSI		DIN PN10		JIS 10K		Height (Reference)				W	HL
A	B				ØC	n-Øh	ØC	n-Øh	ØC	n-Øh	ØC	n-Øh	H	H1		
50	2	47.5	50	162	120.7	4-19	125	4-18	120	4-19	240	187	159	103	92	208
65	2 1/2	42.5	64	178.5	139.5	4-19	145	4-18	140	4-19	259	203	170	114	92	208
80	3	54	73	195	152.4	4-19	160	8-18	150	8-19	273	217	176	120	92	208
100	4	55	98	225	190.5	8-19	180	8-18	175	8-19	302	246	189	134	92	208
125	5	62	123	256	215.9	8-19	210	8-18	210	8-23	339	280	211	152	110	280
150	6	66	143	282	241.5	8-22	240	8-23	240	8-23	368	308	227	168	110	280
200	8	71	185	345	298.5	8-22	295	8-23	290	12-23	450	376	278	204	120	300

MEFCO 渦輪式蝶閥

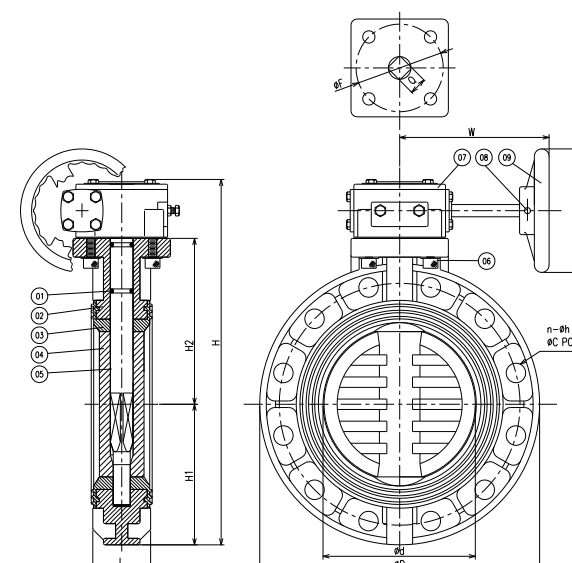
Butterfly Valve (Worm Gear Type)(EM)



- Size 6"- 12"
- Ideally suited in the limited piping space
- PVC or GF-PP body for choice
- CE approved

Working pressure:150psi@73.4°F(23°C)

NO	PART NAME	Q'ty	MATERIAL
1	O-RING	2	EPDM
2	BODY	1	PVC OR GF-PP
3	SEAT	1	EPDM
4	DISC	1	PP
5	STEM	1	SUS410
6	BOLT	4	SUS27
7	WORM GEAR	1	FC20
8	PIN	1	SUS410
9	HANDLE	1	FC20



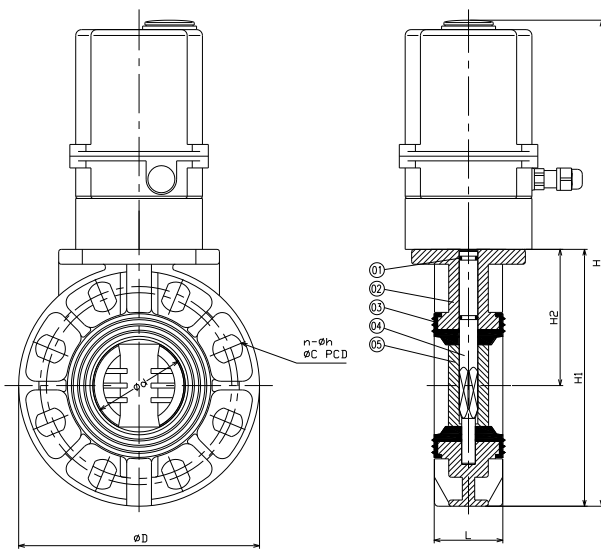
Size		L	Ød	ØD	ANSI 150PSI		DIN PN10		JIS 10K		Height (Reference)			W	ØF	Q	ØHL
A	B				ØC	n-Øh	ØC	n-Øh	ØC	n-Øh	ØC	n-Øh	H				
150	6	70	143	282	241.5	8-22	240	8-23	240	12-23	379	140	168	189	102	17	202
200	8	71	185	345	298.5	8-22	295	8-23	290	12-23	447	173	203	189	102	22	202
250	10	90	234	413	362	12-25	350	12-23	355	12-25	522	207	242	189	102	22	202
300	12	101.5	282	491	431.5	12-25	400	12-23	400	16-25	630	245	280	234	125	27	202

MEFCO 電動式蝶閥

Electric Actuator Butterfly Valve (EEG)



- Size 2" - 12"
- Efficient operation in the limited piping space
- Easy to assemble limit switch and other accessories



Working pressure: 150psi@73.4°F(23°C)

NO	PART NAME	Q'ty	MATERIAL
1	O-RING	2	EPDM
2	BODY	1	PVC
3	SEAT	1	EPDM
4	STEM	1	SUS410
5	DISC	1	PP

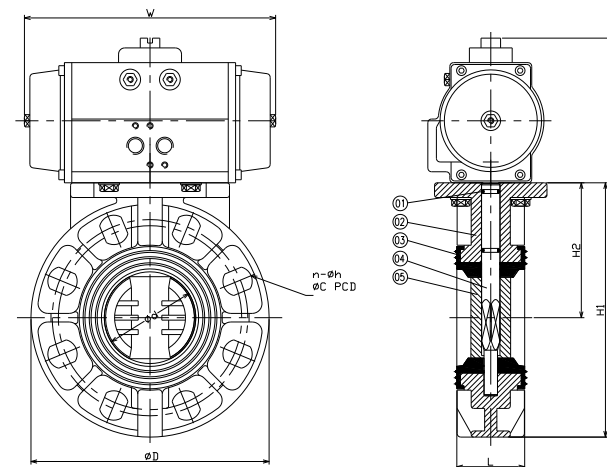
Size		L	Ød	ØD	ANSI 150PSI		DIN PN10		JIS 10K		H	H1	H2
A	B				ØC	n-Øh	ØC	n-Øh	ØC	n-Øh			
50	2	47.5	50	162	120.7	4-19	125	4-18	120	4-19	369	184	103
65	2 1/2	42.5	64	178.5	139.5	4-19	145	4-18	140	4-19	388	203	114
80	3	54	73	195	152.4	4-19	160	8-18	150	8-19	403	218	121
100	4	55	98	225	190.5	8-19	180	8-18	175	8-19	417	252	139
125	5	62	123	256	215.9	8-19	210	8-18	210	8-23	444	279	151
150	6	66	143	282	241.5	8-22	240	8-23	240	8-23	473	308	166
200	8	71	185	345	298.5	8-22	295	8-23	290	12-23	616	376	204
250	10	90	234	413	362.0	12-25	350	12-23	355	12-25	689	449	242
300	12	101.5	282	491	431.5	12-25	400	12-23	400	16-25	797	525	280

MEFCO 氣動式蝶閥

Pneumatic Actuator Butterfly Valve (EA)



- Size 2" - 12"
- Efficient operation in the limited piping space
- Easy to assemble limit switch and other accessories



Working pressure: 150psi@73.4°F(23°C)

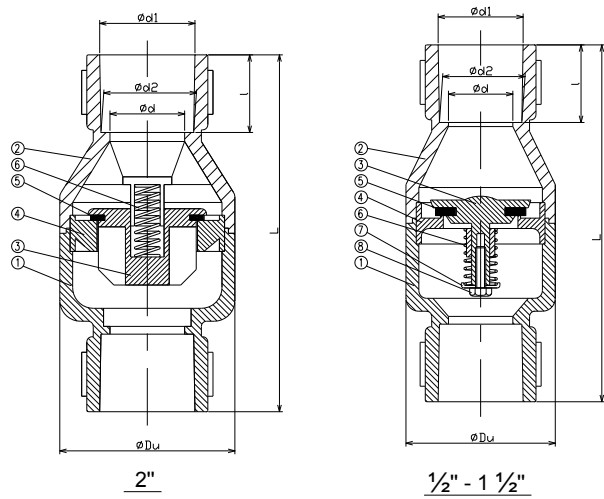
NO	PART NAME	Q'ty	MATERIAL
1	O-RING	2	EPDM
2	BODY	1	PVC
3	SEAT	1	EPDM
4	STEM	1	SUS410
5	DISC	1	PP

Size		L	Ød	ØD	ANSI 150PSI		DIN PN10		JIS 10K		Double Action		Spring Return		H1	H2
A	B				ØC	n-Øh	ØC	n-Øh	ØC	n-Øh	ØC	n-Øh	H	W		
50	2	47.5	50	162	120.7	4-19	125	4-18	120	4-19	283	144.3	302	205.6	184	103
65	2 1/2	42.5	64	178.5	139.5	4-19	145	4-18	140	4-19	302	144.3	321	205.6	203	114
80	3	54	73	195	152.4	4-19	160	8-18	150	8-19	336	149.2	336	205.6	218	121
100	4	55	98	225	190.5	8-19	180	8-18	175	8-19	370	149.2	393	250	252	139
125	5	62	123	256	215.9	8-19	210	8-18	210	8-23	397	149.2	420	250	279	151
150	6	66	143	282	241.5	8-22	240	8-23	240	8-23	449	183	469	355	308	166
200	8	71	185	345	298.5	8-22	295	8-23	290	12-23	516	260	537	355	376	204
250	10	90	234	413	362.0	12-25	350	12-23	355	12-25	645	304	713	642	449	242
300	12	101.5	282	491	431.5	12-25	400	12-23	400	16-25	721	304	789	642	525	280

MEFCO 彈簧式逆止閥 In-Line Check Valve (CK)



- Size 1/2" - 2"
- Spring type
- Socket or threaded end
- ASTM standard
- White color



Working pressure: 150psi@73.4°F(23°C)

NO	PART NAME	Q'ty	MATERIAL
1	ENTRANCE BODY	1	PVC
2	EXIT BODY	1	PVC
3	VALVE GATE	1	PVC
4	SPIGOT	1	PVC
5	SEALING RING	1	EPDM
6	SPRING	1	SUS304
7	SPRING WASHER	1	SUS302
8	BOLT	1	SUS302

Socket Type

Size		L	Ød	ØDu	ASTM		l
A	B				Ød1	Ød2	
15	1/2	104	17	45	21.54	21.23	23
20	3/4	115	22	45	26.87	26.57	26
25	1	139	27	59	33.67	33.27	30
32	1 1/4	162	32.5	81	42.42	42.04	33
40	1 1/2	168.5	38.5	81	48.56	48.11	36
50	2	196.5	50	106.5	60.63	60.17	41

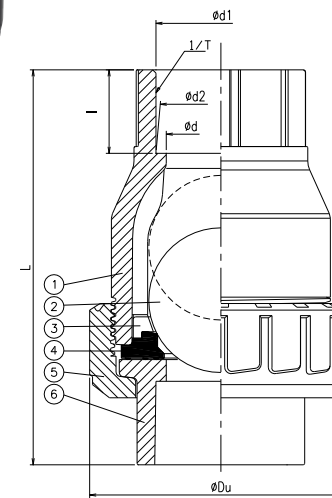
Thread Type

Size		L	Ød	ØDu	NPT	
A	B				thd./in	l
15	1/2	104	17	45	14	23
20	3/4	115	22	45	14	26
25	1	139	27	59	11.5	30
32	1 1/4	162	32.5	81	11.5	33
40	1 1/2	168.5	38.5	81	11.5	36
50	2	196.5	50	106.5	11.5	41

MEFCO 球型逆止閥 Ball Check Valve (CB)



- Size 1/2" - 4"
- Ball type
- Socket or threaded end
- Gray color



Working pressure: 150psi@73.4°F(23°C)

NO	PART NAME	Q'ty	MATERIAL
1	BODY	1	PVC
2	BALL	1	PVC
3	RING	1	PVC
4	SEAT	1	EPDM
5	UNION NUT	1	PVC
6	END CONNECTOR	1	PVC

Socket Type

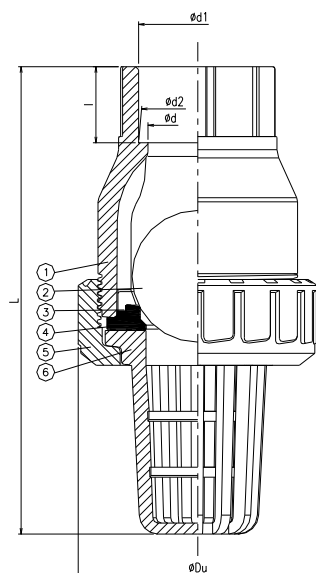
Size		Ød	ØDu	ASTM				DIN				JIS			
A	B			Ød1	Ød2	l	L	Ød1	Ød2	l	L	Ød1	1/T	l	L
15	1/2	16	49	21.54	21.23	22.2	95	20.3	20.1	16	83	22.3	1/37	22	98
20	3/4	20	59	26.87	26.57	25.4	110	25.3	25.1	19	99	26.3	1/42	25	118
25	1	25	67	33.65	33.27	28.6	119	32.3	32.1	22	106	32.3	1/43	29	124
32	1 1/4	32	98	42.42	42.04	31.8	153	40.3	40.1	26	149	38.4	1/37	32	153
40	1 1/2	40	98	48.56	48.11	35.0	151	50.3	50.1	31	142	48.5	1/38	35	153
50	2	50	120	60.63	60.17	38.1	172	63.3	63.1	38	173	60.6	1/34	38	180
65	2 1/2	65	150	73.38	72.85	44.5	218	75.3	75.1	44	218	76.6	1/48	61	259
80	3	80	186	89.31	88.70	47.7	265	90.3	90.1	51	269	89.6	1/49	64	305
100	4	102	228	114.76	114.1	57.2	344	110.4	110.1	61	348	114.7	1/56	84	408

Thread Type

Size		Ød	ØDu	NPT			Rp			Rc		
A	B			thd./in	l(min)	L	thd./in	l(min)	L	thd./in	l(min)	L
15	1/2	16	49	14	16.5	88	14	15	88	14	13	88
20	3/4	20	59	14	17	106	14	16.5	106	14	15	106
25	1	25	67	11.5	21	112	11	19	112	11	17	112
32	1 1/4	32	98	11.5	22	153	11	22	153	11	19	153
40	1 1/2	40	98	11.5	22	144	11	22	144	11	19	144
50	2	50	120	11.5	23	172	11	26	172	11	23	172
65	2 1/2	65	150	8	31	218	11	31	218	11	27	226
80	3	80	186	8	33	262	11	34	262	11	30	273
100	4	102	228	8	35	338	11	40	338	11	36	349

MEFCO 福特球型逆止閥

Foot Valve (FB)



- Size 1/2" - 4"
- Ball type
- Socket or threaded end
- Gray color

Working pressure: 150psi@73.4°F(23°C)

NO	PART NAME	Q'ty	MATERIAL
1	BODY	1	PVC
2	BALL	1	PVC
3	RING	1	PVC
4	SEAT	1	EPDM
5	UNION NUT	1	PVC
6	FILTER	1	PVC

Socket Type

Size		Ød	ØDu	ASTM				DIN				JIS			
A	B			Ød1	Ød2	l	L	Ød1	Ød2	l	L	Ød1	Ød2	l	L
15	1/2	16	49	21.54	21.23	22.2	119	20.3	20.1	16	112	22.30	21.70	22	119
20	3/4	20	59	26.87	26.57	25.4	140	25.3	25.1	19	133	26.30	25.70	25	140
25	1	25	67	33.65	33.27	28.6	151	32.3	32.1	22	144	32.33	31.67	29	151
32	1 1/4	32	98	42.42	42.04	31.8	205	40.3	40.1	26	201	38.43	37.57	32	205
40	1 1/2	40	98	48.56	48.11	35.0	205	50.3	50.1	31	201	48.46	47.54	35	205
50	2	50	120	60.63	60.17	38.1	234	63.3	63.1	38	233	60.56	59.44	38	234
65	2 1/2	65	150	73.38	72.85	44.5	293	75.3	75.1	44	293	76.60	75.33	61	310
80	3	80	186	89.31	88.70	47.7	345	90.3	90.1	51	349	89.60	88.29	64	362
100	4	102	228	114.76	114.10	57.2	457	110.4	110.1	61	461	114.70	113.20	84	484

Thread Type

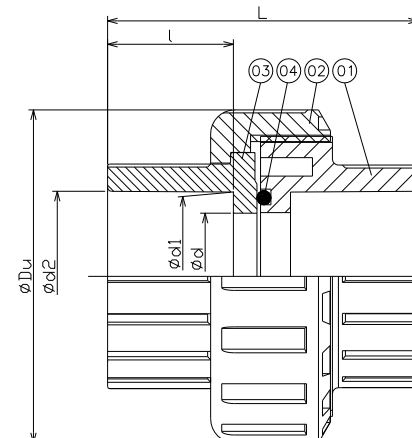
Size		Ød	ØDu	NPT		Rp		Rc		L
A	B			thd./in	l(min)	thd./in	l(min)	thd./in	l(min)	
15	1/2	16	49	14	16.5	14	15	14	13	114
20	3/4	20	59	14	17	14	16.5	14	15	135
25	1	25	67	11.5	21	11	19	11	17	146
32	1 1/4	32	98	11.5	22	11	22	11	19	201
40	1 1/2	40	98	11.5	22	11	22	11	19	201
50	2	50	120	11.5	23	11	26	11	23	233
65	2 1/2	65	150	8	31	11	31	11	27	293
80	3	80	186	8	33	11	34	11	30	345
100	4	102	228	8	35	11	40	11	36	455

MEFCO 由令

Union (US)



- Size 1/2" - 4"
- Suitable for all piping systems
- Easy to be installed
- Socket or threaded end
- Color: White / Gray



Working pressure: 150psi@73.4°F(23°C)

NO	PART NAME	Q'ty	MATERIAL
1	BODY	1	PVC
2	UNION NUT	1	PVC
3	UNION END	1	PVC
4	O-RING	1	EPDM

Socket Type

Size		L	Ød	ØDu	ASTM		DIN		JIS		l
A	B				Ød1	Ød2	Ød1	Ød2	Ød1	Ød2	
15	1/2	55	15	53	21.54	21.23	20.3	20.1	22.40	21.52	22.5
20	3/4	64	20	61	26.87	26.57	25.3	25.1	26.45	25.42	26
25	1	72	25	71	33.67	33.27	32.3	32.1	32.55	31.37	30
32	1 1/4	77	32	83	42.42	42.04	40.3	40.1	38.60	37.31	32
40	1 1/2	86	40	96	48.56	48.11	50.3	50.1	48.70	47.21	36
50	2	95	50	116	60.63	60.17	63.3	63.1	60.80	59.10	40
65	2 1/2	111	65	150	73.38	72.85	75.3	75.1	76.60	75.33	45
80	3	122	76	166	89.31	88.70	90.3	90.1	89.60	88.29	48
100	4	148	100	210	114.76	114.07	110.4	110.1	114.70	113.20	58

Thread Type

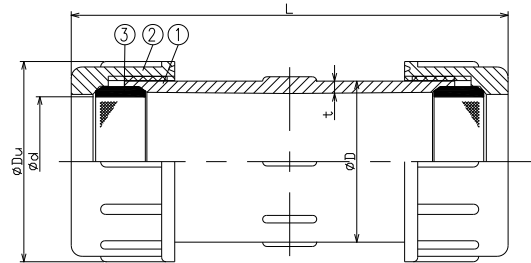
Size		L	Ød	ØDu	NPT		Rp		Rc	
A	B				thd./in	l(min)	thd./in	l(min)	thd./in	l(min)
15	1/2	55	15	53	14	16.5	14	15	14	13
20	3/4	64	20	61	14	17	14	16.5	14	15
25	1	72	25	71	11.5	21	11	19	11	17
32	1 1/4	77	32	83	11.5	22	11	22	11	19
40	1 1/2	86	40	96	11.5	22	11	22	11	19
50	2	95	50	116	11.5	23	11	26	11	23
65	2 1/2	111	65	150	8	31	11	31	11	27
80	3	122	76	166	8	33	11	34	11	30
100	4	148	100	210	8	35	11	40	11	36

MEFCO 快速接頭

Compression Coupling (SS)



- Size 1/2" - 4"
- Suitable for instant and emergent piping system repair
- Socket end
- Color: White / Gray



Working pressure: 150psi@73.4°F(23°C)

NO	PART NAME	Q'ty	MATERIAL
1	BODY	1	PVC
2	UNION NUT	2	PVC
3	SEAT	2	EPDM

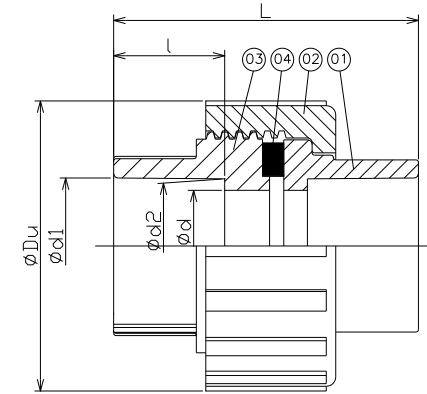
Size		L	ØDu	ASTM Ød	DIN Ød	JIS Ød	ØD	t
A	B							
15	1/2	130	46.5	21.4	19.8	21.4	32.0	3.7
20	3/4	140	52.5	26.6	24.6	26.6	36.5	3.8
25	1	150	60.0	32.8	32.0	32.0	44.0	4.0
32	1 1/4	163	71.5	40.3	38.6	36.0	53.5	4.2
40	1 1/2	169	79.5	48.3	49.4	48.3	60.5	4.5
50	2	200	92.0	59.6	62.0	59.6	74.0	4.8
65	2 1/2	243	106.0	72.2	74.9	76.0	86.5	5.0
80	3	270	133.5	88.9	89.9	89.9	104.0	6.1
100	4	305	160.0	114.8	110.0	114.8	133.0	7.7

MEFCO 由令&快速接頭(CTS)

CPVC Union (UC)&Compression Coupling (SC)



- Size 1/2" - 3/4"
- For copper tube size
- Socket end
- Ivory Color



Working pressure: 150psi@73.4°F(23°C)

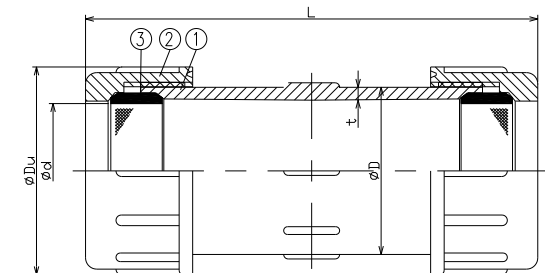
NO	PART NAME	Q'ty	MATERIAL
1	BODY	1	CPVC
2	UNION NUT	1	CPVC
3	UNION END	1	CPVC
4	SEALING RING	1	EPDM

Size		L	Ød	ØDu	ASTM		l
A	B				Ød1	Ød2	
15	1/2	48.5	12.5	43.0	16.08	15.72	12.7
20	3/4	55.5	18.5	49.5	22.45	22.10	17.8



Working pressure: 150psi@73.4°F(23°C)

NO	PART NAME	Q'ty	MATERIAL
1	BODY	1	CPVC
2	UNION NUT	2	CPVC
3	SEAT	2	EPDM



Size		L	Ød	ØDu	ØD	t
A	B					
15	1/2	115	15.0	35.2	24	3.3
20	3/4	130	21.4	46.5	32	3.7

MEFCO 簡單式球閥

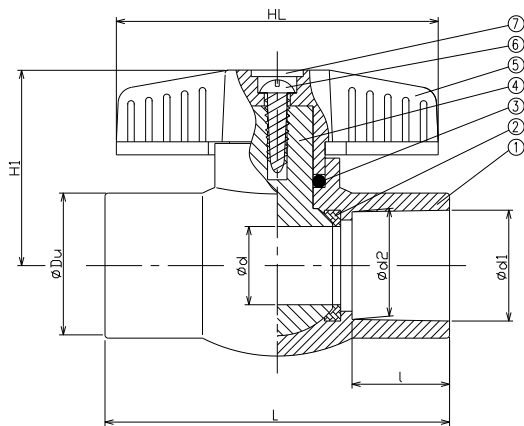
Compact Ball Valve (BF)



- Size 1/2" - 2"
- Compact and low cost
- Socket or threaded end
- Color: White / Gray
- NSF approved

Working pressure: 150psi@73.4°F(23°C)

NO	PART NAME	Q'ty	MATERIAL
1	BODY	1	PVC
2	SEAT	2	SANTOPRENE®
3	O-RING	1	EPDM
4	BALL	1	PVC
5	HANDLE	1	ABS
6	BOLT	1	S1018
7	HANDLE CAP	1	ABS



Socket Type

Size		L	Ød	ØDu	ASTM		l	H1	HL
A	B				Ød1	Ød2			
15	1/2	78	15.0	31	21.54	21.23	22	47	70
20	3/4	90	20.0	37	26.87	26.57	25	52	79
25	1	106	23.8	44	33.67	33.27	30	65	99
32	1 1/4	121	29.6	53	42.42	42.04	33	70	112
40	1 1/2	130	33.8	60	48.56	48.11	35	74	112
50	2	148	44.2	76	60.63	60.17	38	80	138

Thread Type

Size		L	Ød	ØDu	NPT		H1	HL
A	B				thd./in	l(min)		
15	1/2	78	15.0	31	14	16.5	47	70
20	3/4	90	20.0	37	14	17	52	79
25	1	106	23.8	44	11.5	21	65	99
32	1 1/4	121	29.6	53	11.5	22	70	112
40	1 1/2	130	33.8	60	11.5	22	74	112
50	2	148	44.2	76	11.5	23	80	138

MEFCO 簡單式球閥(CTS)

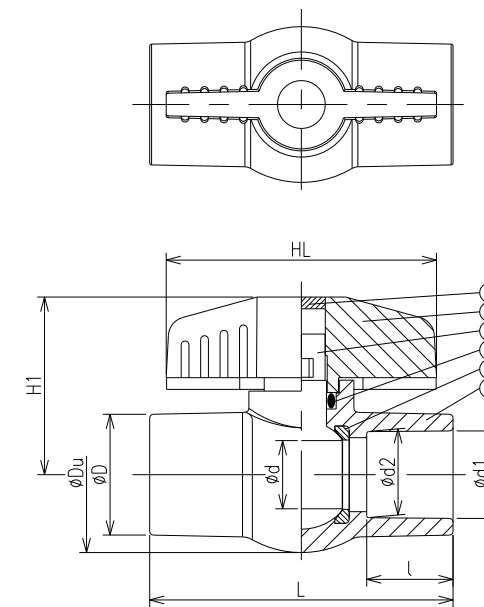
CPVC Compact Ball Valve (BCX)



- Size 1/2" - 1"
- For CTS pipes
- Socket end
- Ivory Color
- NSF approved

Working pressure: 100psi@180°F(82°C)

NO	PART NAME	Q'ty	MATERIAL
1	BODY	1	CPVC
2	SEAT	2	PTFE
3	O-RING	1	EPDM
4	BALL	1	NORYL
5	HANDLE	1	ABS
6	HANDLE CAP	1	ABS



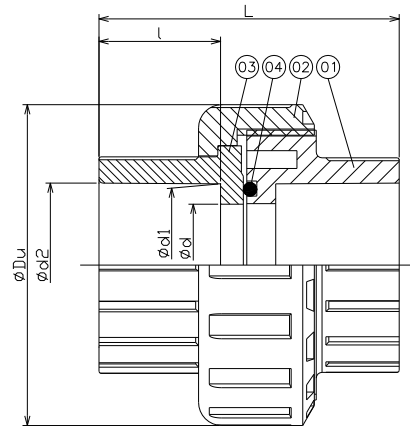
Size		L	Ød	ØDu	Ød1	Ød2	l	H1	HL	ØD
A	B									
15	1/2	66	12.0	31.5	16.08	15.72	18.3	35.5	58.0	22
20	3/4	78	17.5	40.0	22.45	22.10	22.2	46.0	69.5	31
25	1	88	22.1	52.0	28.83	28.47	23.4	52.0	78.0	38



- Size 1/2" - 4"
- Suitable for all piping systems
- Easy to be installed
- Socket or threaded end
- Color: Gray
- NSF approved

Working pressure: 150psi@73.4°F(23°C)

NO	PART NAME	Q'ty	MATERIAL
1	BODY	1	PVC
2	UNION NUT	1	PVC
3	UNION END	1	PVC
4	O-RING	1	EPDM



Socket Type

Size		L	Ød	ØDu	ASTM		l
A	B				Ød1	Ød2	
15	1/2	55	15	53	21.54	21.23	22.5
20	3/4	64	20	61	26.87	26.57	26
25	1	72	25	71	33.67	33.27	30
32	1 1/4	77	32	83	42.42	42.04	32
40	1 1/2	86	40	96	48.56	48.11	36
50	2	95	50	116	60.63	60.17	40
65	2 1/2	111	65	150	73.38	72.85	45
80	3	122	76	166	89.31	88.70	48
100	4	148	100	210	114.76	114.07	58

Thread Type

Size		L	Ød	ØDu	NPT	
A	B				thd./in	l(min)
15	1/2	55	15	53	14	16.5
20	3/4	64	20	61	14	17
25	1	72	25	71	11.5	21
32	1 1/4	77	32	83	11.5	22
40	1 1/2	86	40	96	11.5	22
50	2	95	50	116	11.5	23
65	2 1/2	111	65	150	8	31
80	3	122	76	166	8	33
100	4	148	100	210	8	35